

# CASCOS



FABRICANTE EUROPEO DE ELEVADORES • EUROPEAN CAR LIFT MANUFACTURER • FABRICANT EUROPÉEN DE PONTS ÉLEVATEURS

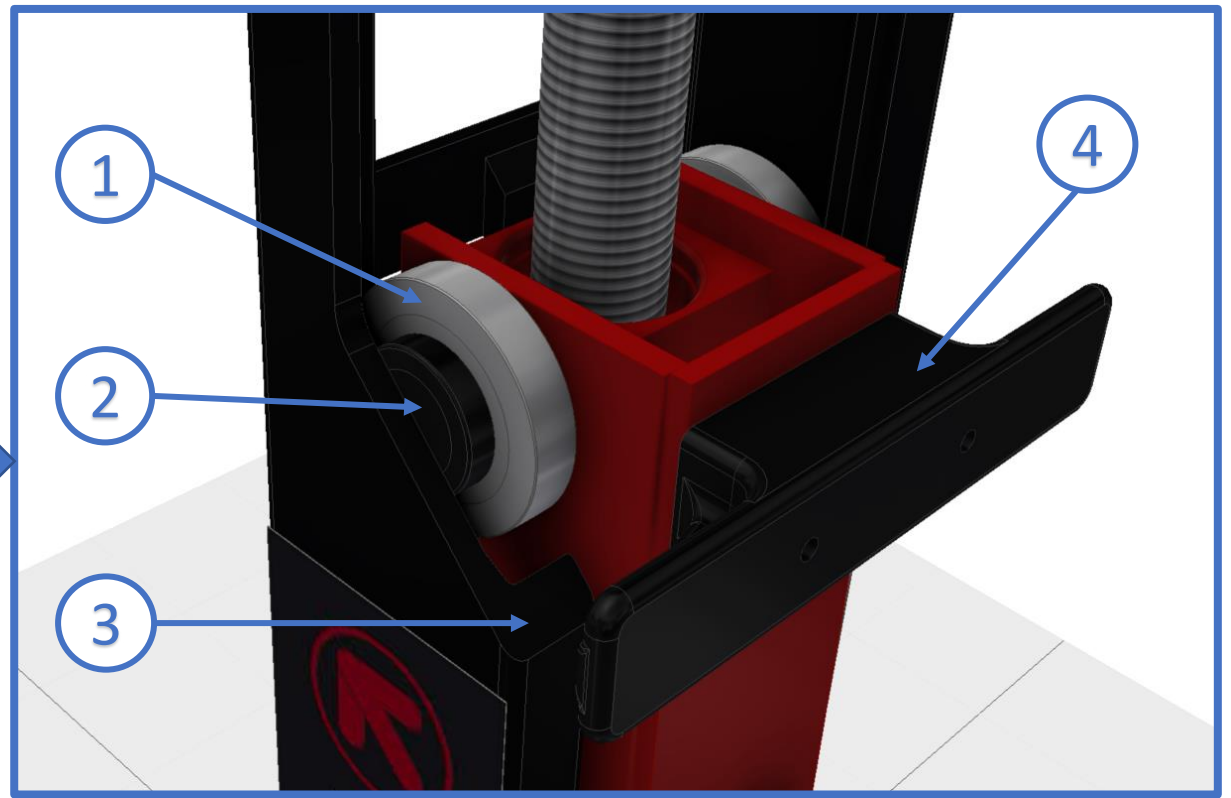
## 2 Post Design - What Sets Us Apart?

*Since 1965*



## Cascos 2 Post Lifts Unique Features





1 Bearings



High quality guided steel bearings offer greater durability than nylon guides.

3 Profiles



**SOLID**  
Unique hot-rolled column profiles allow Cascos to manufacture extremely strong, yet less bulky posts.

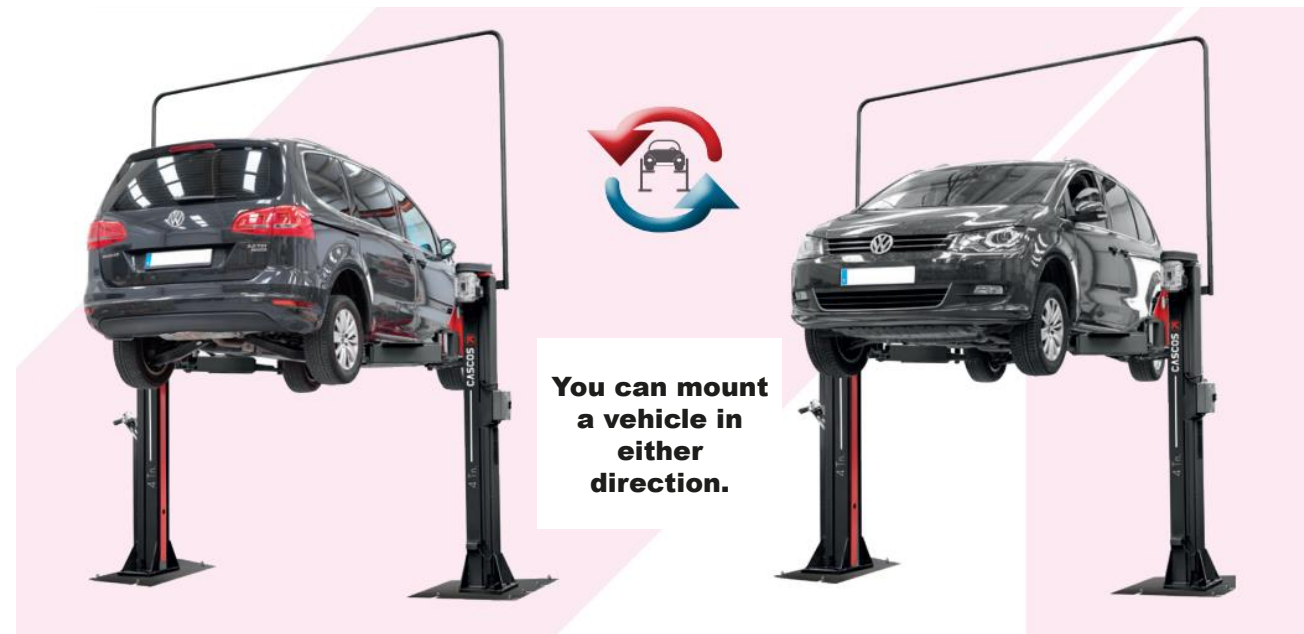
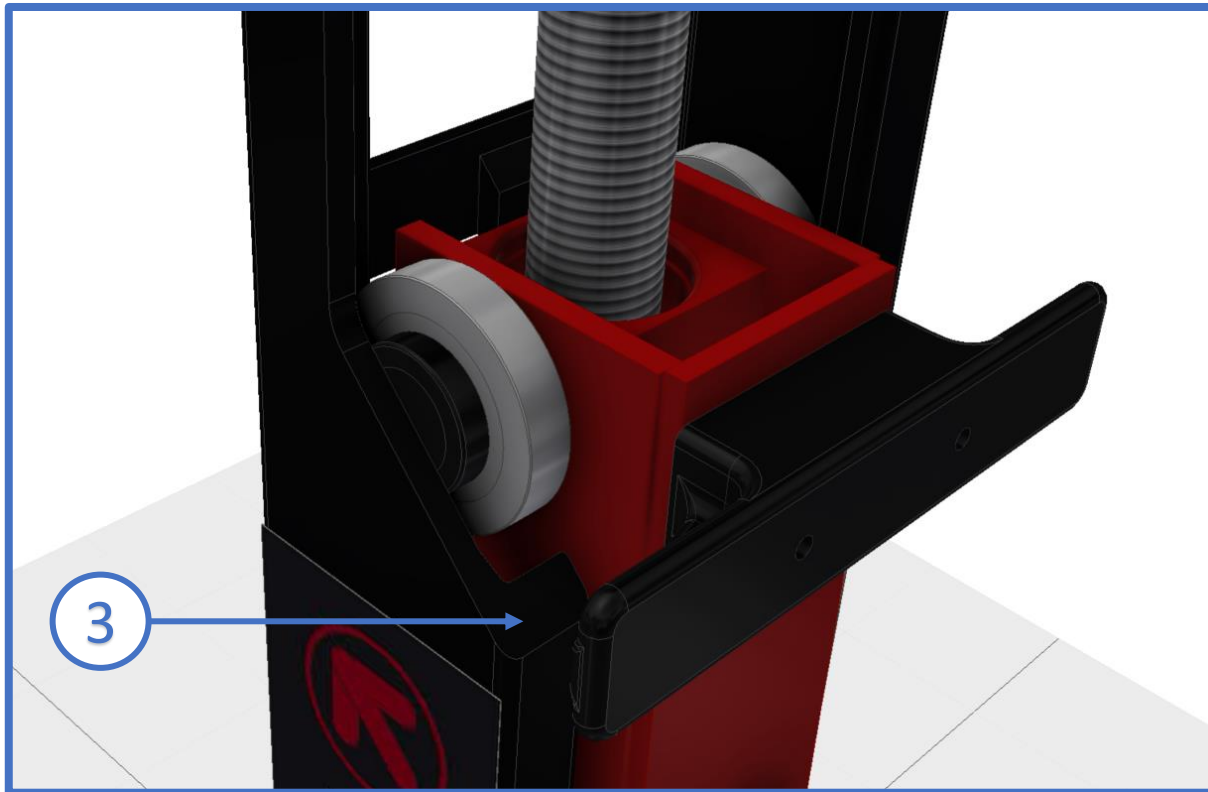
4 Protection



**Spindle protection** avoids the technician getting grease/dirt on their clothes when touching the post.

**Rubber protection** on columns protect doors against damage when opening.

## Reversability



You can mount a vehicle in either direction.

3



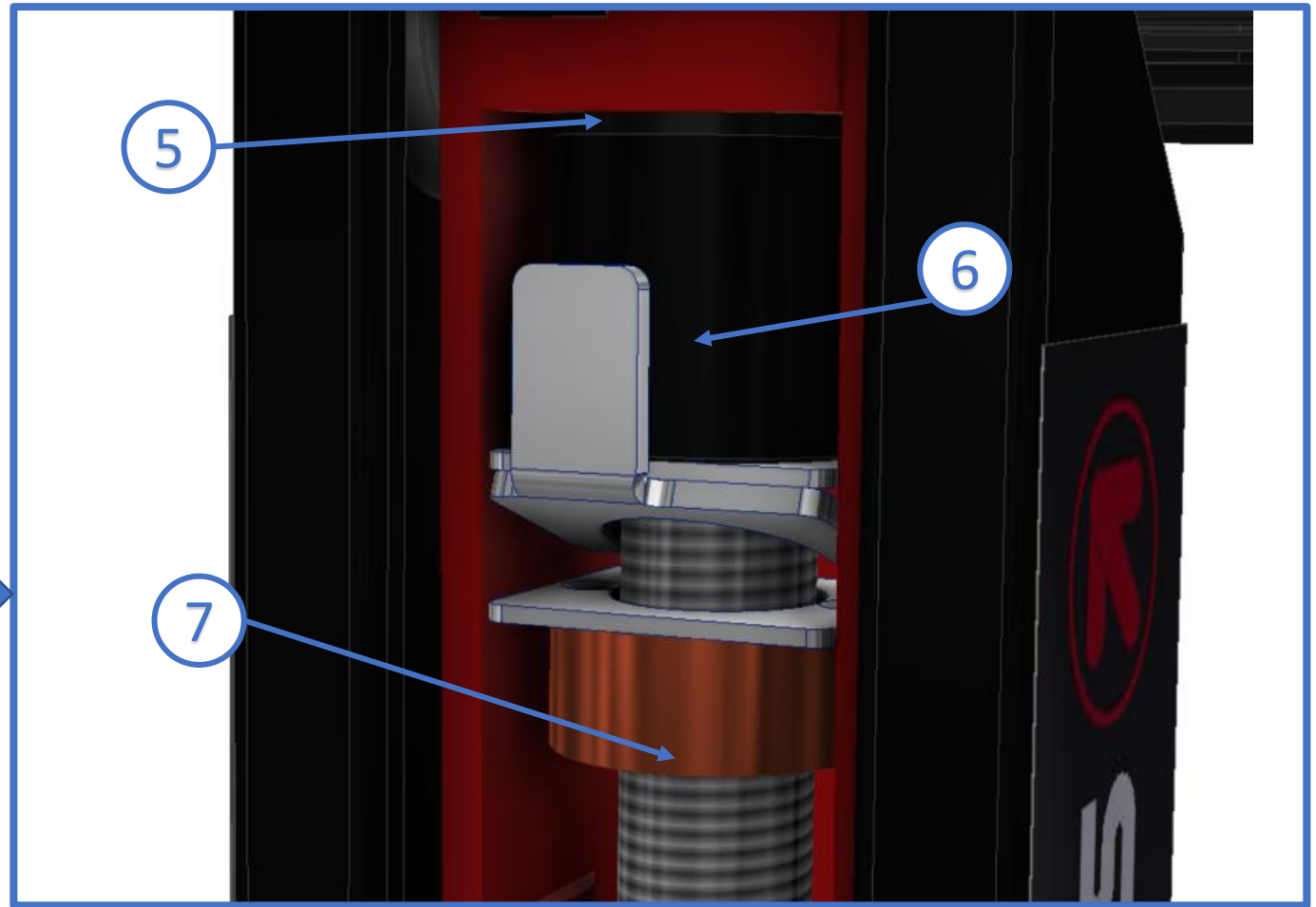
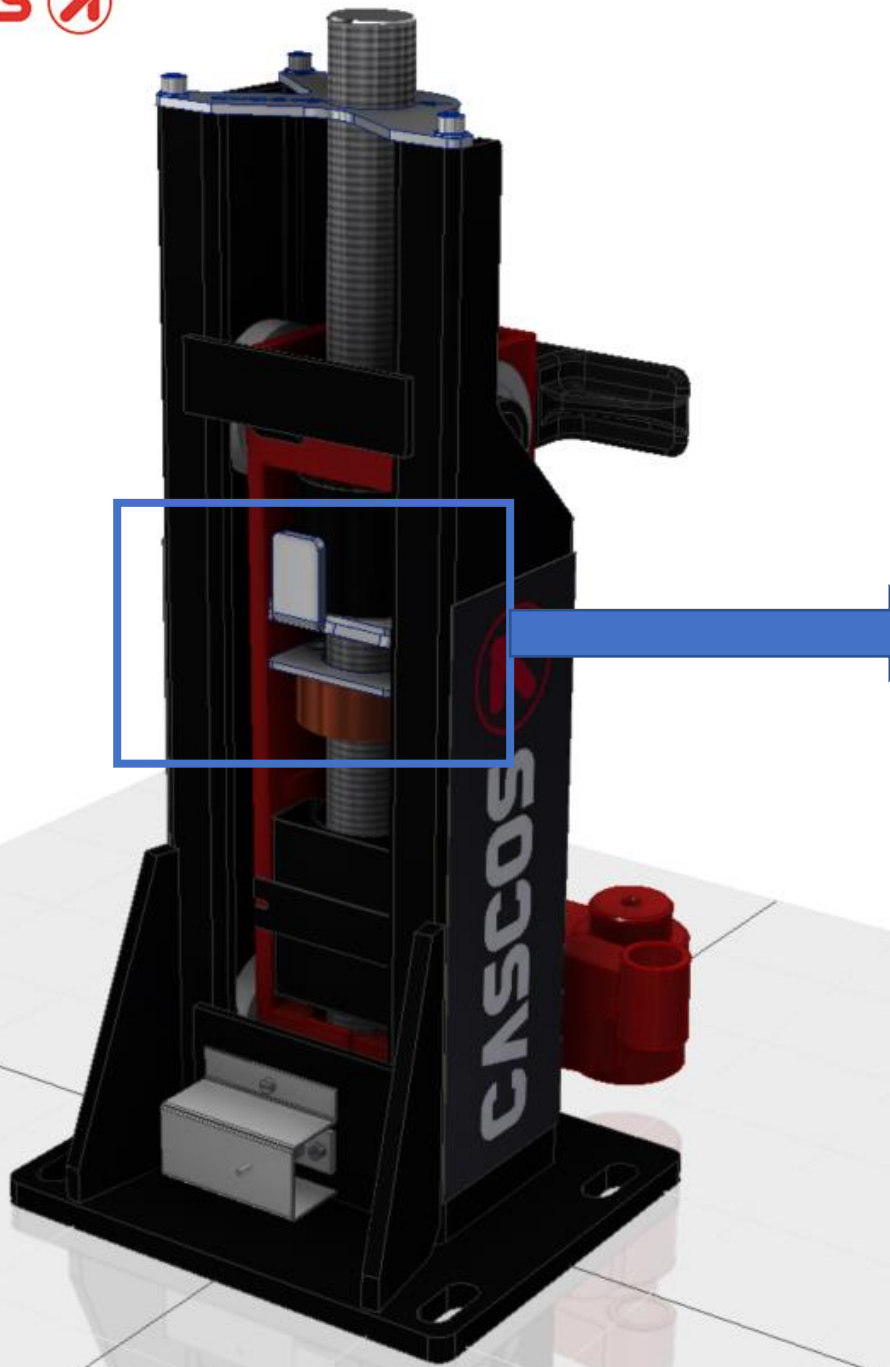
**SOLID**  
Unique hot-rolled column profiles allow Cascos to manufacture extremely strong, yet less bulky posts.




  
Made in Germany

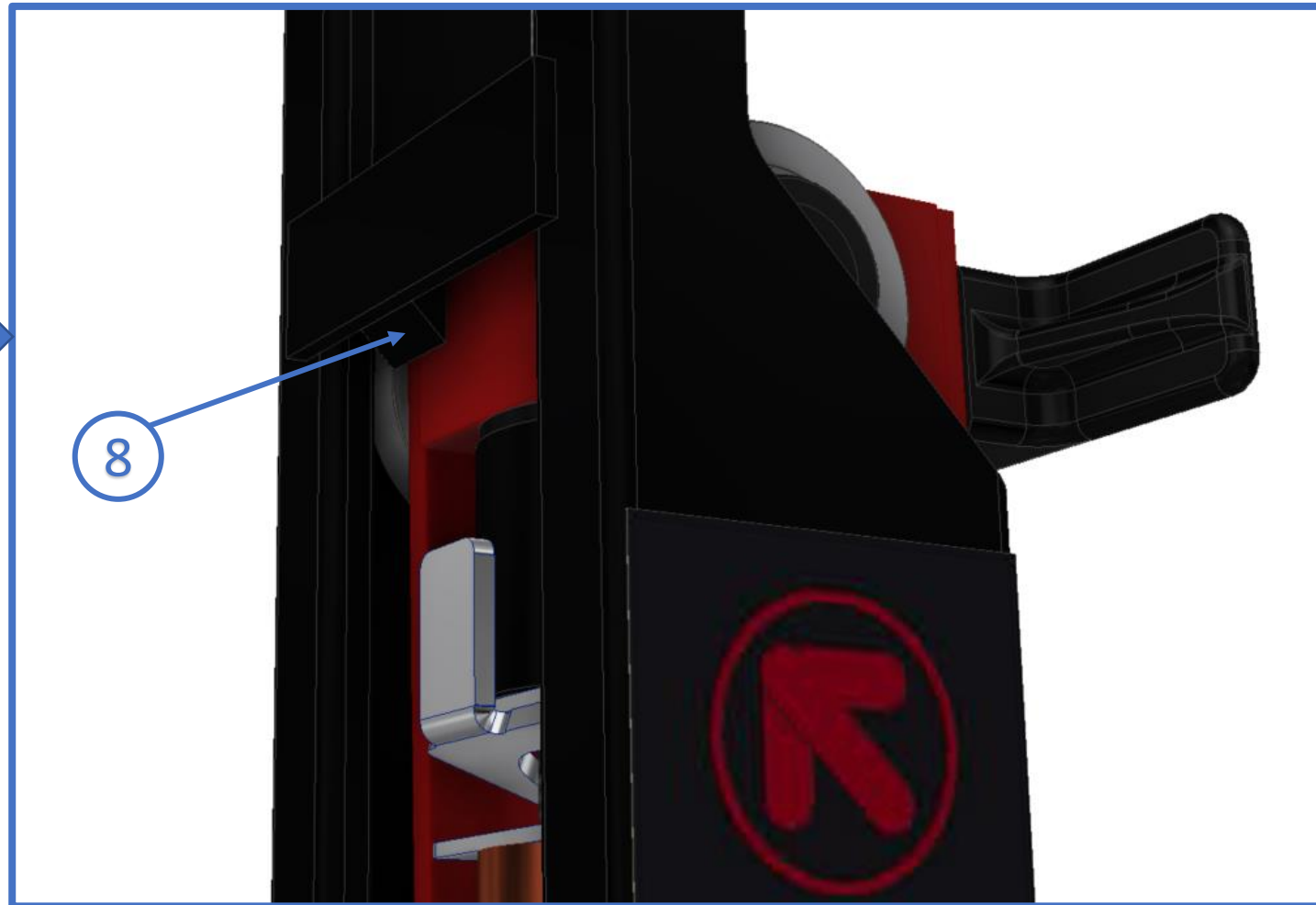
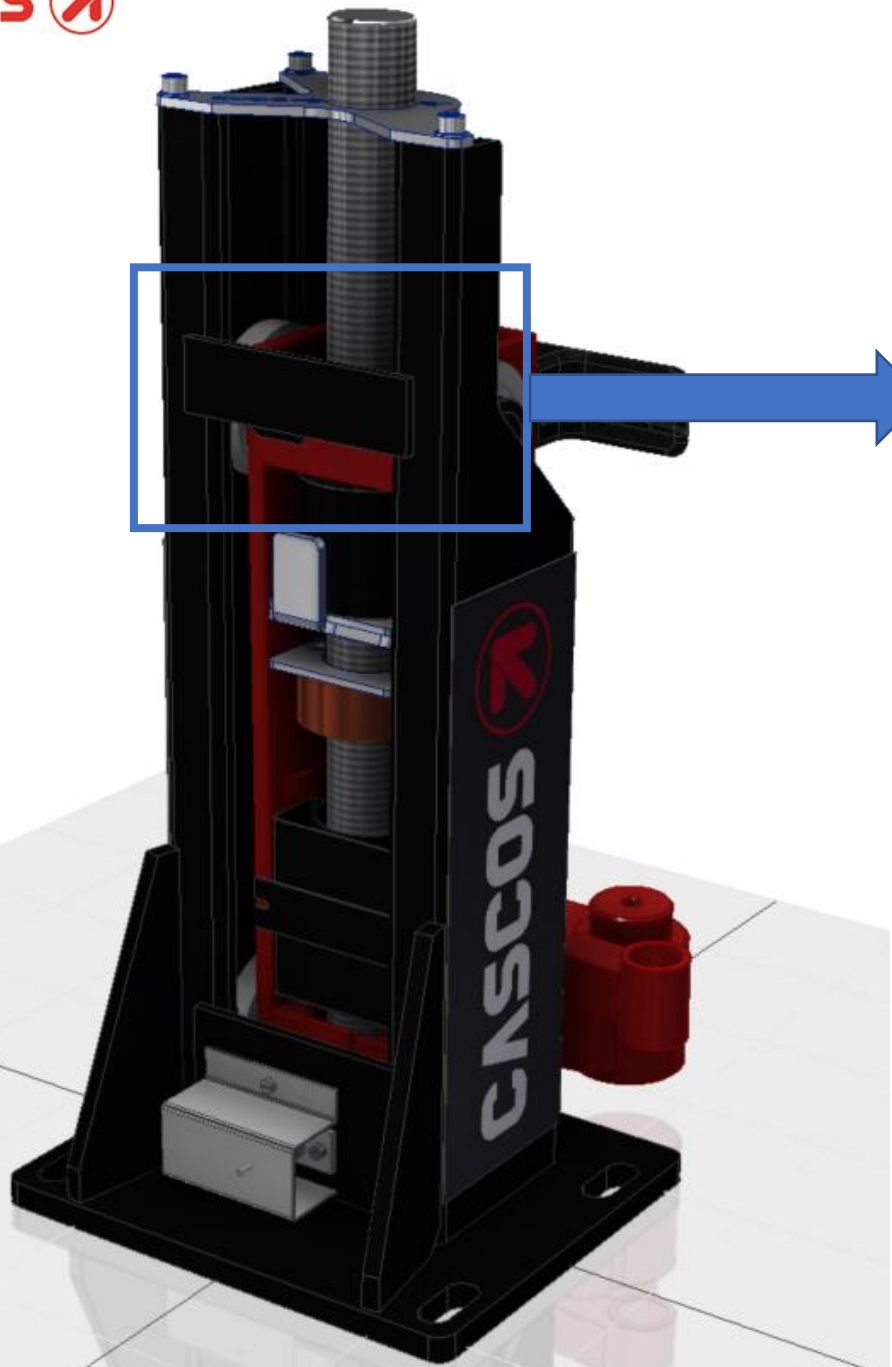


**SlenderTec™**  
Super Strength Column Made In Germany

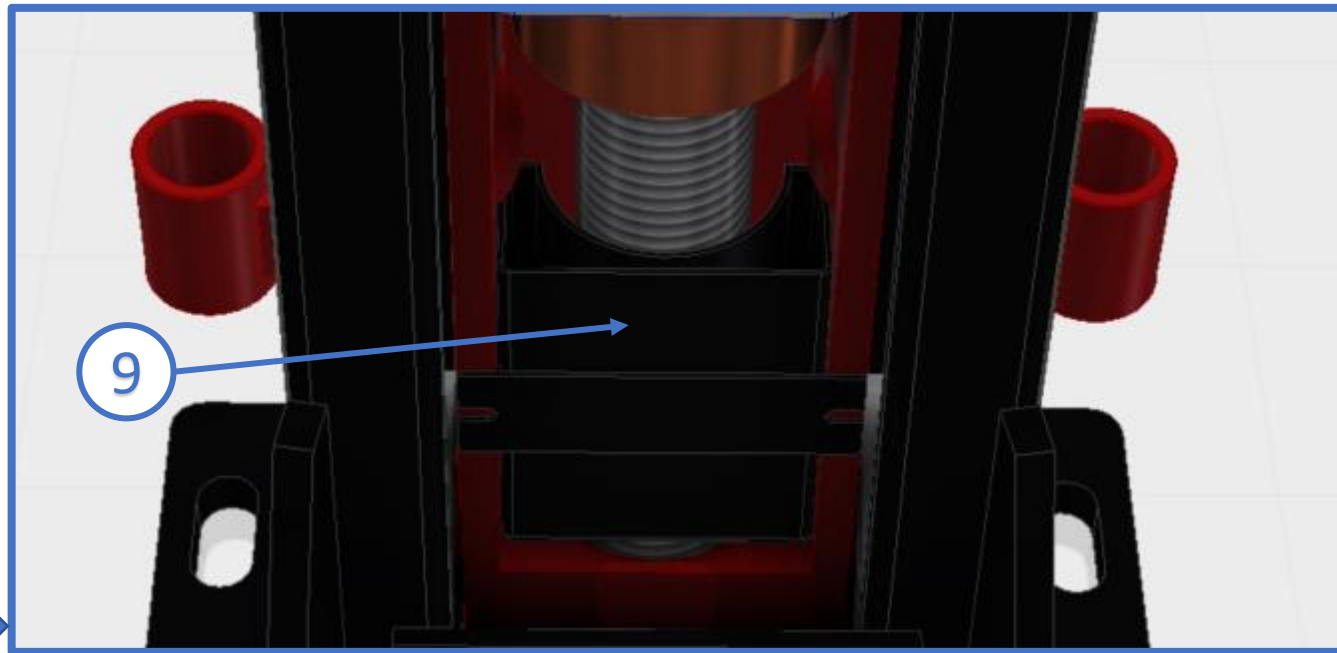
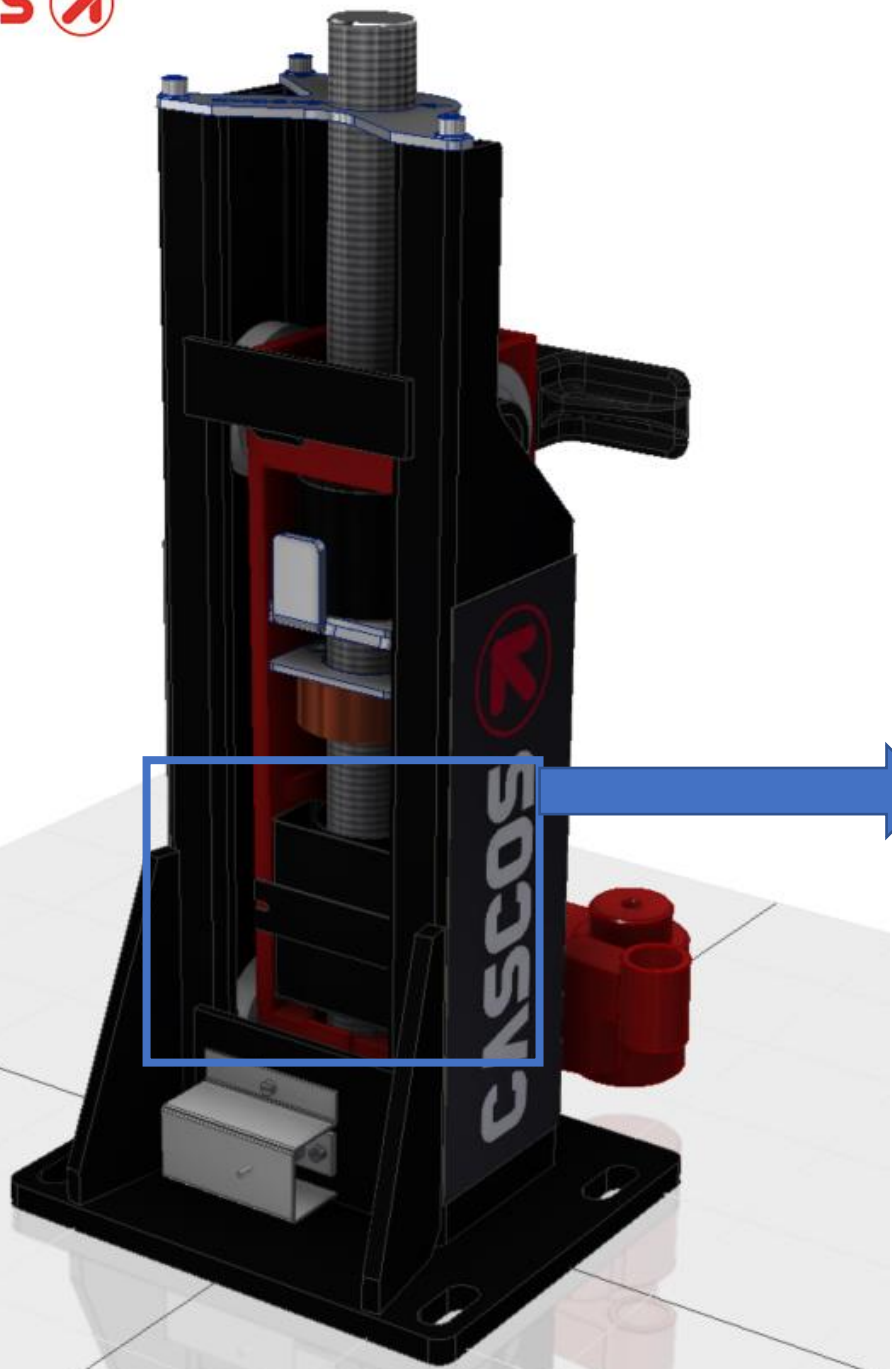
The 'Slendertec' profile makes it possible to manufacture extremely strong, yet slim columns.



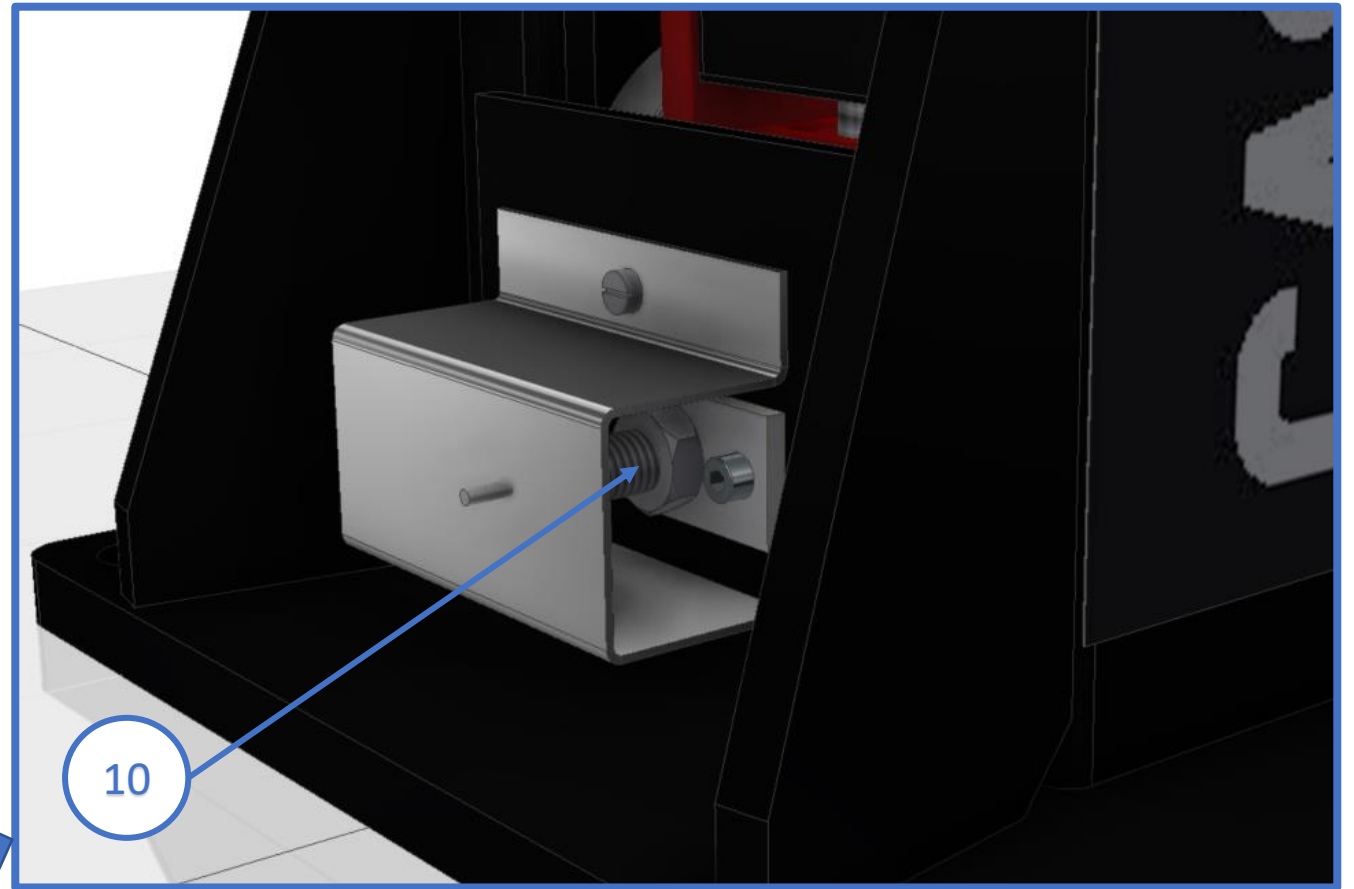
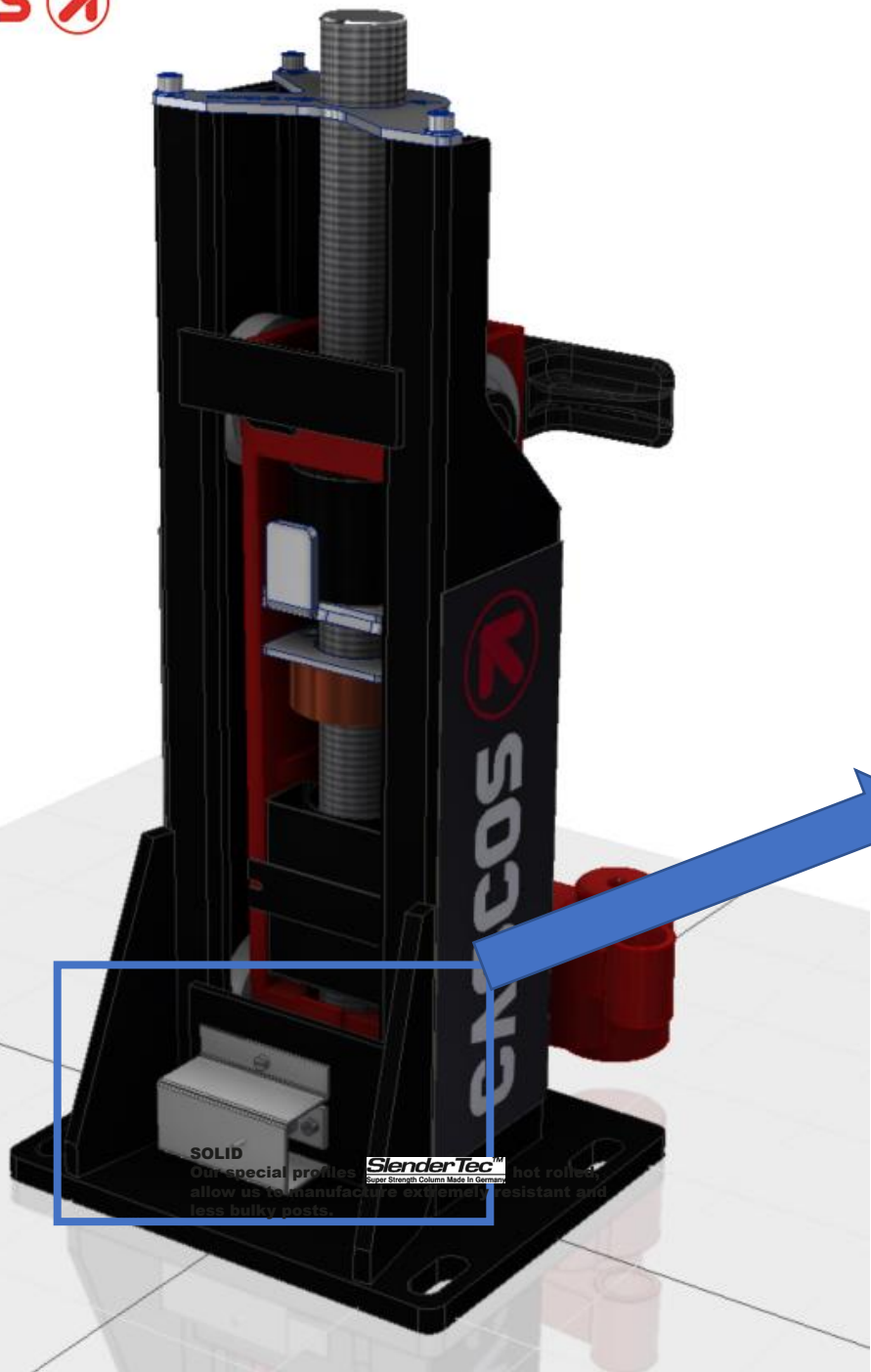
-  5 Nylon Rolling washer → Always in contact
-  6 Nylon working nut → Less wear / Longer life
-  7 Bronze Security nut → No plastic in security systems



⑧ Mechanical locking system → protects against working nut extreme wear.



⑨ Automatic lubrication system.



10 Counters return to zero after each lifting operation.

Others have to make a zero reset every certain periods.



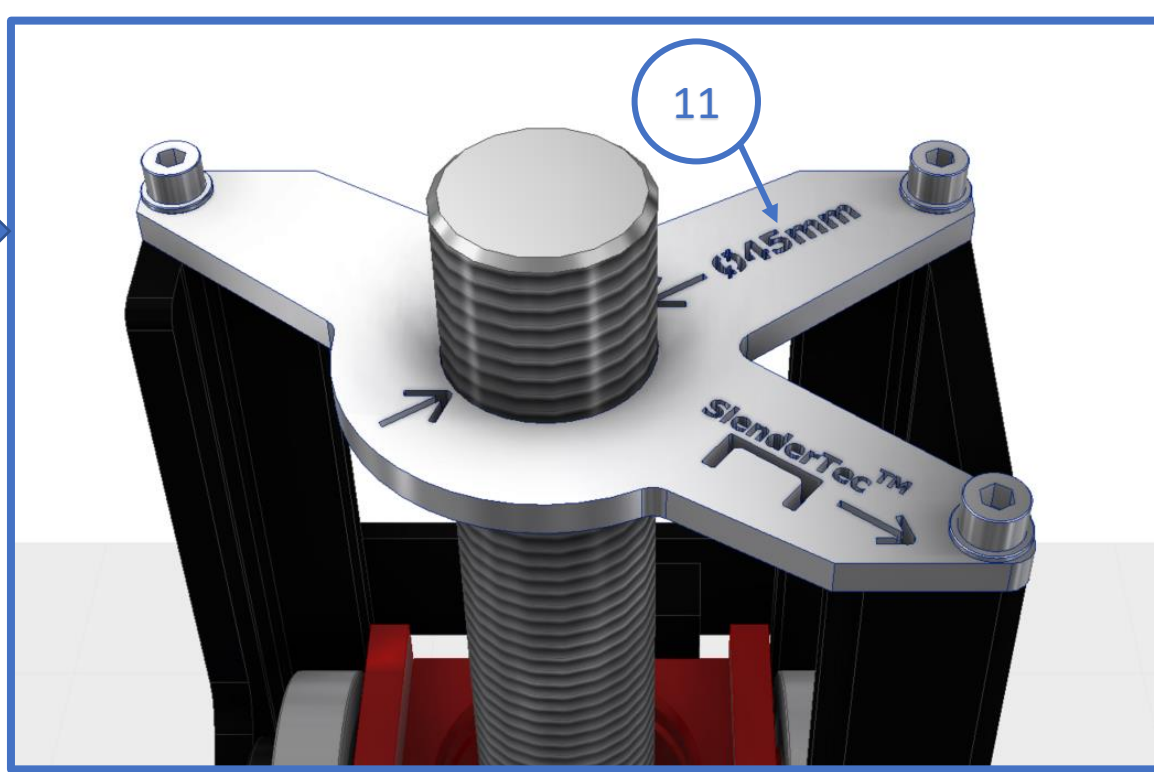
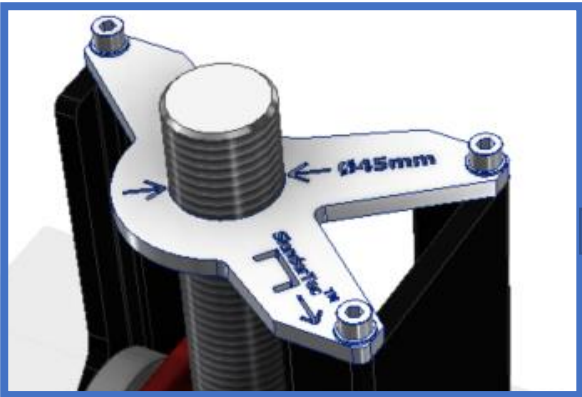
**CASCOS BASELESS LIFTS**  
Compatible with Industry 4.0

- Exclusive features**  
Intelligence Lift Control (ILC), is an innovative control system, developed by Cascos, that controls the operation of the lift and, also displays control information on an LCD screen, that improves the management and performance of the lift in many respects:
- Safety warnings
  - Useful information about the lift operation
  - Operational alerts
  - Maintenance notifications
  - Instructions to follow in the most common breakdowns
  - User configured options, such as working height
  - ID key to prevent unauthorised operation

ILC is a new concept that helps you control and improve the profitability of your workshop, all through a user-friendly menu.

**The most advanced and reliable levelling system on the market.**





11

**Spindle**



The biggest diameter spindle on the market and high quality nuts offer:

- Less wear
- Longer life

SC10  
 Our special profiles **SlenderTec™** hot rolled, allow us to manufacture extremely resistant and long lasting parts.



**CASCOS** 