

CASCOS C3.2

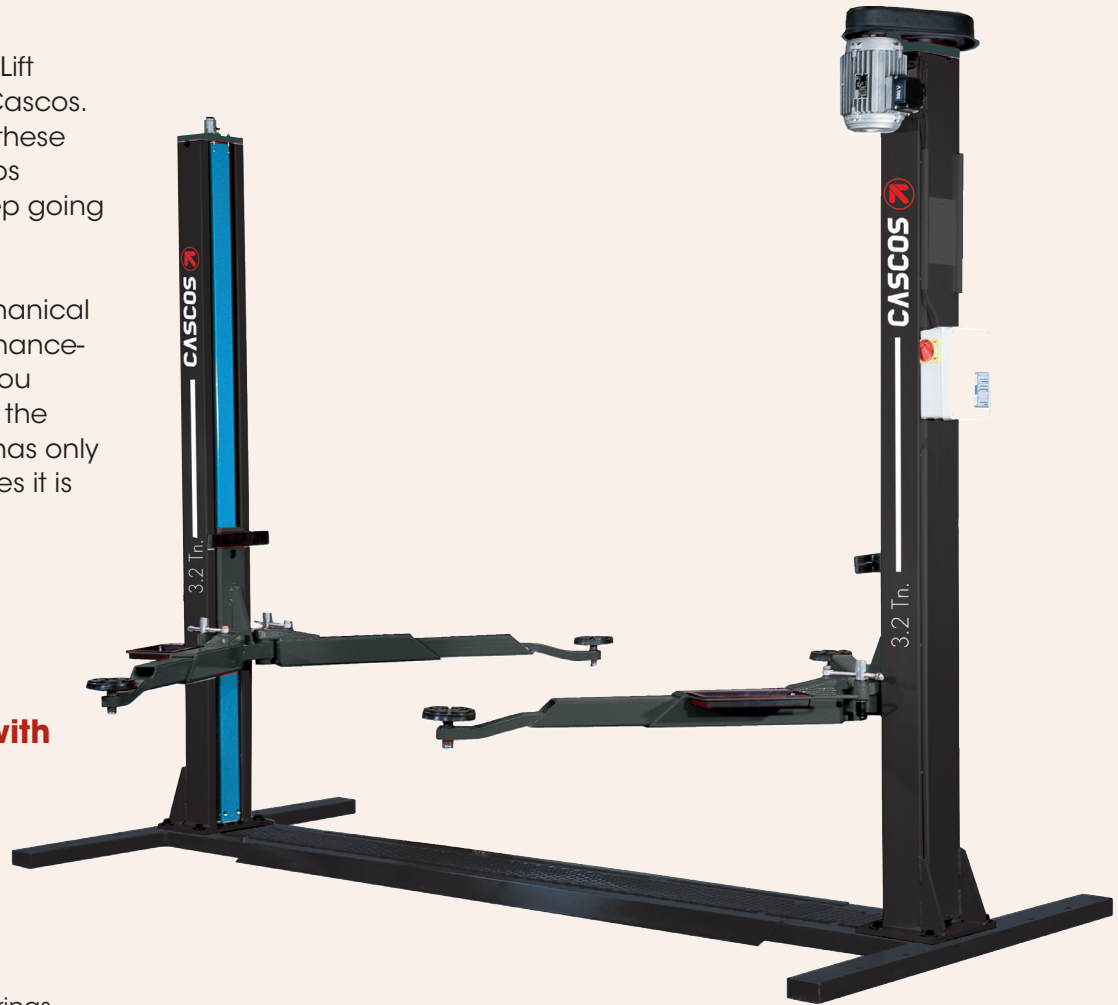
TWO POST LIFT WITH BASE AND SYMMETRIC ARMS

The original Cascos Classic 2 Post Lift, first manufactured in 1965

The C3.2 is a classic Two Post Lift from Spanish manufacturer, Cascos. Traditional in its build quality, these lifts can be found in workshops everywhere, and they just keep going and going!

Using traditional electro-mechanical design, the C3.2 is as maintenance-free and uncomplicated as you can get. It has been made in the same way for decades, and has only evolved in line with the vehicles it is required to lift.

ALSO AVAILABLE:
C3.2 Comfort version, with asymmetric arms



KEY FEATURES

- High quality guided steel bearings
- The biggest diameter spindle on the market and high quality nuts offer less wear and longer lasting life
- Chain driver transmission integrated on the solid base

TECHNICAL SPECIFICATIONS

- Lifting Capacity: 3.2 Tonnes
- Lifting time: 45 seconds
- Weight: 1,580 kg
- Motor Power: 3.7 kW

