

ECOLIFT TP10



2 POST LIFT WITH ELECTRIC LOCKS

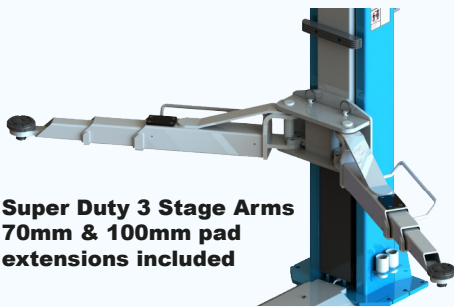
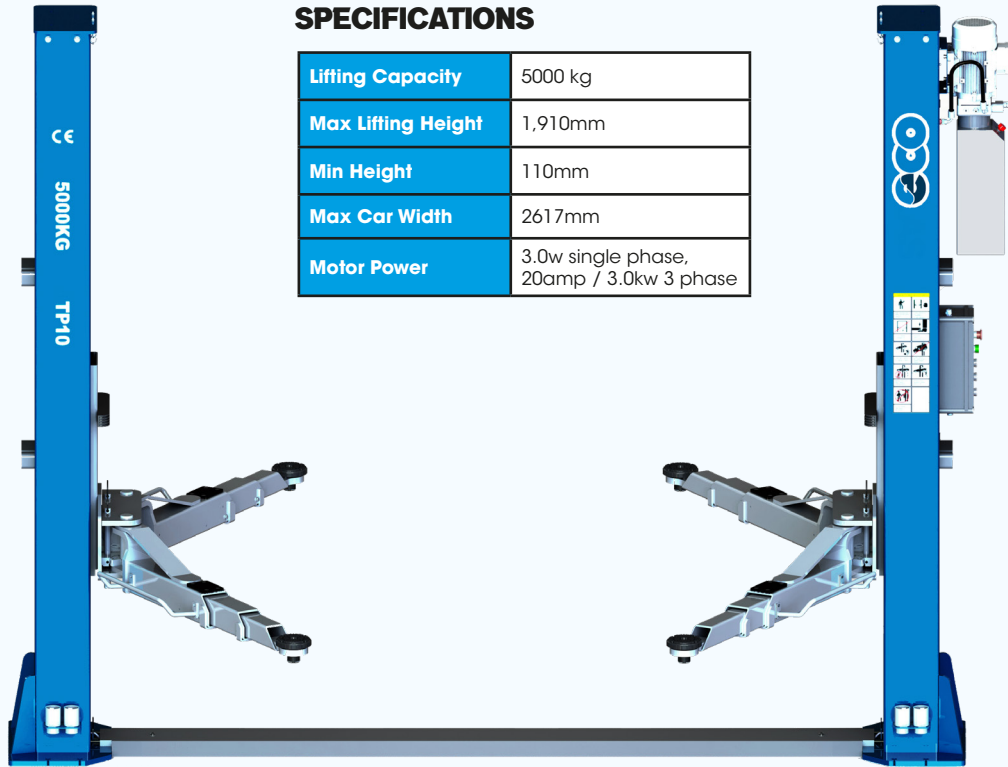
The ecolift TP10 is the big brother of the TP9 and has been designed in Europe with larger European vehicles in mind.

Originally developed for heavy-duty vehicles typical of the US market, this European version of sits comfortably in the category of 'Super-Duty' vehicle lifts, in terms of its build quality and capability. With a healthy 5,000kg capacity it is tougher than your average lift, being capable of handling large 4x4s and vans.

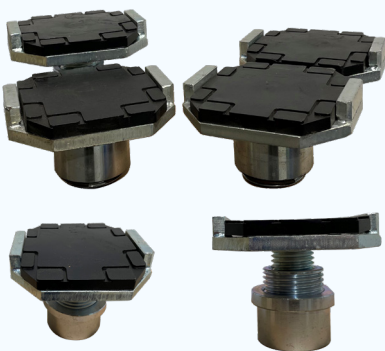
Boasting electric locks and four 3-Stage arms, with 70mm and 100mm pad extensions included as standard, the TP10 manages to balance value and performance perfectly.

SPECIFICATIONS

Lifting Capacity	5000 kg
Max Lifting Height	1,910mm
Min Height	110mm
Max Car Width	2617mm
Motor Power	3.0w single phase, 20amp / 3.0kw 3 phase



Super Duty 3 Stage Arms
70mm & 100mm pad extensions included



Vehicle Chassis lift pad adaptors specifically designed for SUVs and 4x4s available as an extra cost option.

