

MEGASPIN 220

COMPACT WHEEL BALANCER

Wheel balancer with automatic data entry for distance and diameter and virtual sonar for width calculation.

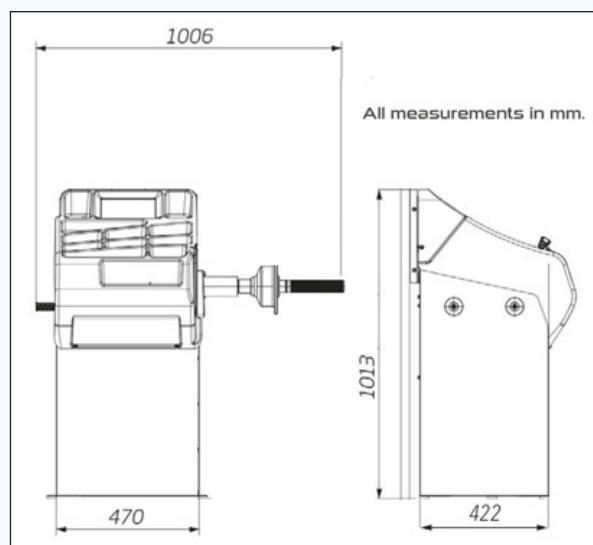
THE INNOVATIVE 3D SOFTWARE THAT CALCULATES RIM WIDTH

Virtual Sonar is the new software for 3D wheel measurement that enables detection of the rim width, which makes an actual sonar device, or outside data entry arm unnecessary. The inner rim edge is detected thanks to the automatic gauge. Virtual Sonar then calculates the position of the external rim edge, according to the measured unbalance and tolerance.

VIRTUAL SONAR

- Reduces balancing time
- Avoids operator errors caused by manual data entries
- Guarantees a balancing efficiency comparable to top of the range machines

Available with optional wheel guard



SPECIFICATIONS

Standard Clamping :	40mm diameter
Display:	Digital
Rim Width:	1.5"-20"
Rim Diameter:	10"-30"
Maximum Wheel Diameter:	1200mm
Maximum Wheel Width:	530mm
Maximum Wheel Weight:	75kg
Rotation:	100rpm
Power Supply:	240V